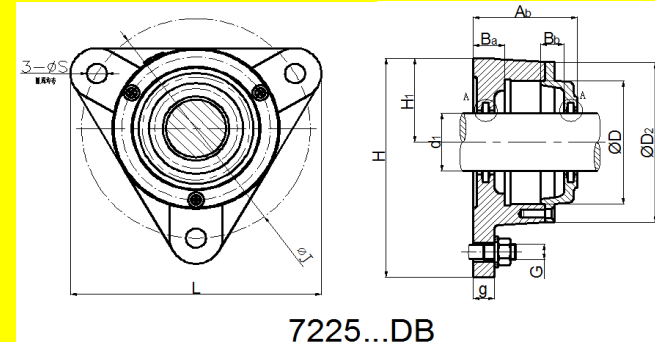
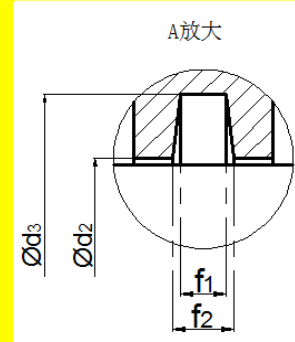
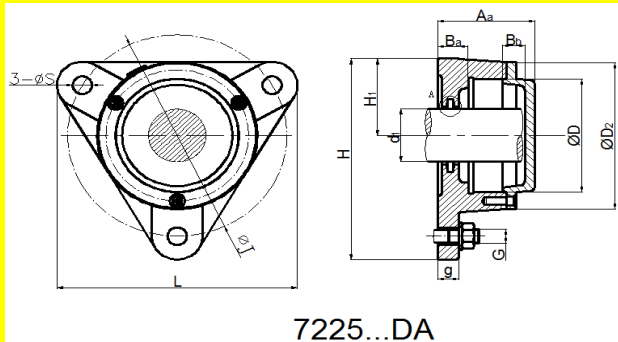


icbe

InterContinental Bearing



Wälzlager - Bearings - Roulements - Rodamientos - Łożyska



| Housing No. | | shaft dia | Dimensions (mm) | | | | | | | | | | | | | | | | | Bearing No. | Adapter Sleeve | Locating Ring | |
|--|-----------|-----------|-----------------|----------------|----|----------------|----------------|----|----------------|-----|----------------|-----|-----|------|-----|----------------|----------------|----------------|----------------|-------------|----------------|---------------|-----|
| DA | DB | d1 (mm) | A _a | A _b | g | B _a | B _b | D | D ₂ | H | H ₁ | J | L | S | G | f ₁ | f ₂ | d ₂ | d ₃ | | | Number | QTY |
| 722505 DA | 722505 DB | 20 | 51,5 | 56,5 | 10 | 15 | 12,5 | 52 | 75 | 100 | 38 | 96 | 110 | 11,5 | M10 | 3 | 4,2 | 21,5 | 31 | 1205 K | H205 | FRM5/52 | 1 |
| | | | | | | | | | | | | | | | | | | | | 2205 K | H305 | FE2/52 | 1 |
| | | | | | | | | | | | | | | | | | | | | 22205 K | H305 | FE2/52 | 1 |
| 722506 DA | 722506 DB | 25 | 57 | 59,5 | 12 | 16 | 15 | 62 | 86 | 117 | 44 | 116 | 130 | 11,5 | M10 | 4 | 5,4 | 26,5 | 38 | 1206 K | H206 | FRM6/62 | 1 |
| | | | | | | | | | | | | | | | | | | | | 2206 K | H306 | FE2/62 | 1 |
| | | | | | | | | | | | | | | | | | | | | 22206 K | H306 | FE2/62 | 1 |
| www.mybearing.eu | | | | | | | | | | | | | | | | | | | | | | | |
| 722507 DA | 722507 DB | 30 | 59,5 | 63,5 | 12 | 16 | 14,5 | 72 | 97 | 130 | 49 | 130 | 145 | 14 | M12 | 4 | 5,4 | 31,5 | 43 | 1207 K | H207 | FRM8/72 | 1 |
| | | | | | | | | | | | | | | | | | | | | 2207 K | H307 | FE2/72 | 1 |
| | | | | | | | | | | | | | | | | | | | | 22207 K | H307 | FE2/72 | 1 |
| 722508 DA | 722508 DB | 35 | 64 | 65,5 | 12 | 17 | 18 | 80 | 108 | 143 | 54 | 140 | 160 | 14 | M12 | 4 | 5,4 | 36,5 | 48 | 1208 K | H208 | FRM7/80 | 1 |
| | | | | | | | | | | | | | | | | | | | | 2208 K | H308 | FE2/80 | 1 |
| | | | | | | | | | | | | | | | | | | | | 22208 K | H308 | FE2/80 | 1 |

Alle Angaben wurden sorgfältig geprüft, dennoch können wir für Fehler keine Haftung übernehmen

(C) 2015 ICBE InterContinental Bearing Equipment GMBH

www.mybearing.eu

| Housing No. | | shaft dia | Dimensions (mm) | | | | | | | | | | | | | | | | | Bearing No. | Adapter Sleeve | Locating Ring | |
|-------------|-----------|-----------|-----------------|----------------|----|----------------|----------------|-----|----------------|-----|----------------|-----|-----|----|-----|----------------|----------------|----------------|----------------|-------------|----------------|---------------|-----|
| DA | DB | d1 (mm) | A _a | A _b | g | B _a | B _b | D | D ₂ | H | H ₁ | J | L | S | G | f ₁ | f ₂ | d ₂ | d ₃ | | | Number | QTY |
| 722509 DA | 722509 DB | 40 | 64,5 | 69,5 | 12 | 19 | 16,5 | 85 | 113 | 160 | 60 | 160 | 180 | 14 | M12 | 4 | 5,4 | 41,5 | 53 | 1209 K | H209 | FRM6/85 | 1 |
| | | | | | | | | | | | | | | | | | | | | 2209 K | H309 | FE2/85 | 1 |
| | | | | | | | | | | | | | | | | | | | | 22209 K | H309 | FE2/85 | 1 |
| 722510 DA | 722510 DB | 45 | 68,5 | 73 | 15 | 22 | 17,5 | 90 | 118 | 160 | 60 | 160 | 180 | 14 | M12 | 4 | 5,4 | 46,5 | 58 | 1210 K | H210 | FRM5/90 | 1 |
| | | | | | | | | | | | | | | | | | | | | 2210 K | H310 | FE2/90 | 1 |
| | | | | | | | | | | | | | | | | | | | | 22210 K | H310 | FE2/90 | 1 |
| 722511 DA | 722511 DB | 50 | 75,5 | 81,5 | 15 | 24 | 19,5 | 100 | 128 | 172 | 65 | 170 | 192 | 14 | M12 | 5 | 6,8 | 51,5 | 67 | 1211 K | H211 | FRM6/100 | 1 |
| | | | | | | | | | | | | | | | | | | | | 2211 K | H311 | FE2/100 | 1 |
| | | | | | | | | | | | | | | | | | | | | 22211 K | H311 | FE2/100 | 1 |
| 722512 DA | 722512 DB | 55 | 77 | 82 | 15 | 23 | 19 | 110 | 142 | 189 | 72 | 180 | 210 | 14 | M12 | 5 | 6,8 | 56,5 | 72 | 1212 K | H212 | FRM8/110 | 1 |
| | | | | | | | | | | | | | | | | | | | | 2212 K | H312 | FE2/110 | 1 |
| | | | | | | | | | | | | | | | | | | | | 22212 K | H312 | FE2/110 | 1 |
| 722513 DA | 722513 DB | 60 | 80 | 86 | 15 | 22 | 20 | 120 | 152 | 203 | 78 | 190 | 225 | 14 | M12 | 5 | 6,8 | 62 | 77 | 1213 K | H213 | FRM10/120 | 1 |
| | | | | | | | | | | | | | | | | | | | | 2213 K | H313 | FE2/120 | 1 |
| | | | | | | | | | | | | | | | | | | | | 22213 K | H313 | FE2/120 | 1 |



sales@icbe.net

www.mybearing.eu

www.icbe.net

www.icbe.de

Alle Angaben wurden sorgfältig geprüft, dennoch können wir für Fehler keine Haftung übernehmen

(C) 2015 ICBE InterContinental Bearing Equipment GMBH

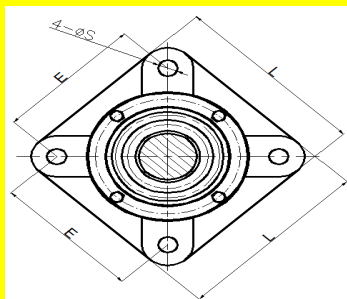
www.mybearing.eu

icbe

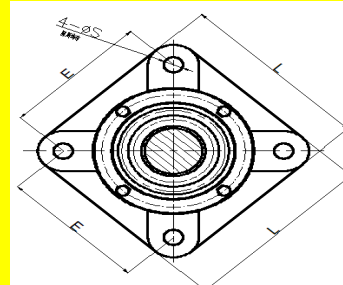
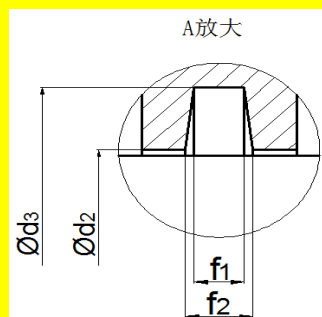
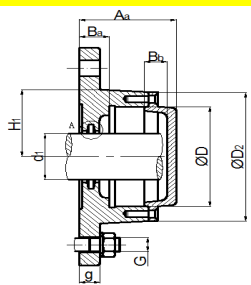
InterContinental Bearing



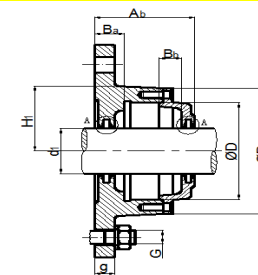
Wälzlager - Bearings - Roulements - Rodamientos - Łożyska



7225...A



7225...B



| Housing No. | | shaft dia | Dimensions (mm) | | | | | | | | | | | | | | | | Bearing No. | Adapter Sleeve | Locating Ring | |
|--|----------|-----------|-----------------|----------------|----|----------------|----------------|-----|----------------|----------------|-----|-----|----|----------------|----------------|----------------|----------------|-----|-------------|----------------|---------------|-----|
| A | B | d1 (mm) | A _a | A _b | g | B _a | B _b | D | D ₂ | H ₁ | E | L | S | f ₁ | f ₂ | d ₂ | d ₃ | G | | | Number | QTY |
| 722515 A | 722515 B | 65 | 100 | 107 | 25 | 30 | 27 | 130 | 168 | 95 | 152 | 190 | 18 | 5 | 6,8 | 66,5 | 82 | M16 | 1215K | H215 | FRM8/130 | 2 |
| | | | | | | | | | | | | | | | | | | | 2215K | H315 | FRM10/130 | 1 |
| | | | | | | | | | | | | | | | | | | | 22215 K | H315 | FRM10/130 | 1 |
| 722516 A | 722516 B | 70 | 102 | 114 | 25 | 31 | 30 | 140 | 176 | 98 | 152 | 196 | 18 | 6 | 8,1 | 71,5 | 89 | M16 | 1216K | H216 | FRM8.5/140 | 2 |
| | | | | | | | | | | | | | | | | | | | 2216K | H316 | FRM10/140 | 1 |
| | | | | | | | | | | | | | | | | | | | 22216 K | H316 | FRM10/140 | 1 |
| www.mybearing.eu | | | | | | | | | | | | | | | | | | | | | | |
| 722517 A | 722517 B | 75 | 107 | 115 | 25 | 31 | 30 | 150 | 188 | 105 | 170 | 210 | 22 | 6 | 8,1 | 76,5 | 94 | M16 | 1217K | H217 | FRM9/150 | 2 |
| | | | | | | | | | | | | | | | | | | | 2217K | H317 | FRM10/150 | 1 |
| | | | | | | | | | | | | | | | | | | | 22217 K | H317 | FRM10/150 | 1 |
| 722518 A | 722518 B | 80 | 112 | 119 | 25 | 30 | 31 | 160 | 198 | 105 | 170 | 210 | 22 | 6 | 8,1 | 81,5 | 99 | M16 | 1218K | H218 | FRM10/160 | 2 |
| | | | | | | | | | | | | | | | | | | | 2218K | H318 | FRM10/160 | 1 |
| | | | | | | | | | | | | | | | | | | | 22218 K | H318 | FRM10/160 | 1 |

Alle Angaben wurden sorgfältig geprüft, dennoch können wir für Fehler keine Haftung übernehmen

(C) 2015 ICBE InterContinental Bearing Equipment GMBH

www.mybearing.eu

| Housing No. | | shaft dia | Dimensions (mm) | | | | | | | | | | | | | | | Bearing No. | Adapter Sleeve | Locating Ring | | |
|-------------|----------|--------------|-----------------|----------------|----------------|----|----------------|----------------|-----|----------------|----------------|-----|----|---|----------------|----------------|----------------|-------------|-------------------|----------------|-------------|--------|
| A | B | | d1 (mm) | A _a | A _b | g | B _a | B _b | D | D ₂ | H ₁ | E | L | S | f ₁ | f ₂ | d ₂ | | | d ₃ | G | Number |
| 722520 A | 722520 B | 90 | 124 | 134 | 30 | 30 | 33 | 180 | 224 | 125 | 198 | 250 | 22 | 7 | 9,3 | 92 | 111 | M20 | 1220K | H220 | FRM11/180 | 2 |
| | | | | | | | | | | | | | | | | | | | 2220K | H320 | FRM10/180 | 1 |
| | | | | | | | | | | | | | | | | | | | 22220 K | H320 | FRM10/180 | 1 |
| 722522 A | 722522 B | 100 | 134 | 137 | 30 | 30 | 38 | 200 | 246 | 135 | 219 | 270 | 22 | 8 | 10,8 | 102 | 125 | M20 | 1222K | H222 | FRM12.5/200 | 2 |
| | | | | | | | | | | | | | | | | | | | 2222K | H322 | FRM10/200 | 1 |
| | | | | | | | | | | | | | | | | | | | 22222 K | H322 | FRM10/200 | 1 |



sales@icbe.net

www.mybearing.eu

www.icbe.net

www.icbe.de

Alle Angaben wurden sorgfältig geprüft, dennoch können wir für Fehler keine Haftung übernehmen

(C) 2015 ICBE InterContinental Bearing Equipment GMBH

www.mybearing.eu